



# AMBETRONICS™

AN ISO 9001 : 2000 COMPANY



MANUFACTURER OF TIMER , COUNTER , RPM & TEMPERATURE INSTRUMENTS & PROCESS AUTOMATION

FAC. : 17 - B, TARUN INDUSTRIAL ESTATE, MOGRAPADA, NEW NAGARDAS ROAD, ANDHERI (E.), MUMBAI - 400069. INDIA.

TEL. : 022 - 2837 1143 / 1086, 6699 5525 / 26, • FAX : 022 - 2822 6570. • MOBILE : 98210 62102, 93242 54646 / 7

E-mail - sales@ambetronics.com, ambetronics@vsnl.com • Website : www.ambetronics.com

## DIGITAL TIME SWITCH MODEL PT-150



96(W) X 96(H) X 120(D) mm.

### **CLASSIC FEATURES:-**

- \* Used latest microcontroller based technology.
- \* 5 Digit 7segment bright red L.E.D display.
- \* Program setting by three soft membrane keys on the front panel.
- \* Password facility to Prevent unauthorised used.
- \* Manual over ride facility for emergency ON / OFF..
- \* 2 Channel Independent Relay output for 2 different load.
- \* Reset function to clear all switching programme & add new programme.
- \* Output 1NO/C/NC Contact rated 230VAC/6A for each channel.
- \* Built-in watch-dog circuit for fail safe operation.
- \* Compact in size & easy to set & operate.
- \* Pay back period with in 6 months by switching OFF unwanted lighting load in ideal time.

### **DESCRIPTIONS:-**

Digital time switch PT-150 is made up of latest micro controller based technology. It can work in harshy industrial environment. It has two independent programmable channels. Each channel have 50 different setting of programme. Each programme comprised of starting ON TIME and the DURATION for which the output has to be remain ON. Three Feather touch membrane keys for easy programming. Password facility for programme protection to prevent unauthorised used. The 5 digit bright 7 segment L.E.D display shows the real time clock, programme number, second, minute, hour, day etc. The unit has non volatile RAM to store the programme in case of power failure. Moreover it has watch-dog circuit which protect the timer from mains voltage fluctuation or voltage transients, voltage dips etc. The real time clock (RTC) follows 24 hour formats. The 2 independent relay output available with 1NO/C/NC contact rating of 6A at 230VAC.

### **APPLICATION:-**

PT-150 is widely used in factories to energies sirens, hooters for shifts, tea and lunch times etc. School & College for automatic bell ringing as per timetable., Switch ON & OFF ovens, pump exhaust fans, compressor neon sign Boards, advertisement Boards, staircase & passage lights, home security by light control. It is very useful in saving electrical energy by switch OFF the load during unwanted time.

## TECHNICAL SPECIFICATIONS:-

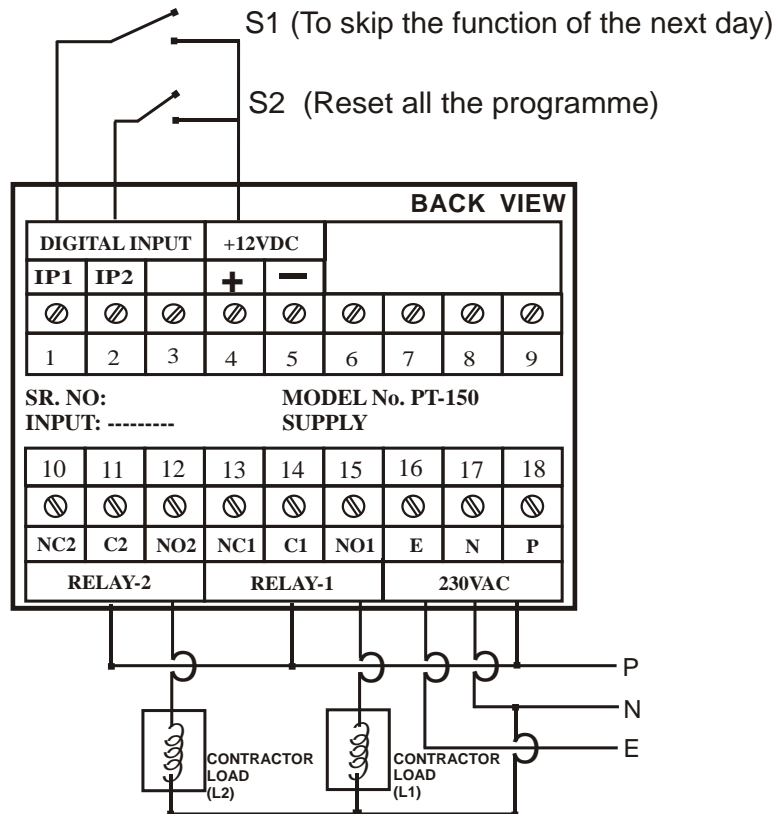
|                         |   |   |
|-------------------------|---|---|
| <b>Display</b>          | : | 5 Digit 13.0 m.m. height L.E.D. display for Time. Next time.<br>6 Nos red L.E.D. for RL1, RL2, CH-1, CH-2, ON time, Duration. |
| <b>Range</b>            | : | Settable in Hour, Minute, Second.   |
| <b>Accuracy</b>         | : | +5 Seconds / Month.   |
| <b>Time Base</b>        | : | 11.0592 MHz Quartz crystal oscillator for accurate timing.  |
| <b>Output</b>           | : | 1 NO / C / NC Contact rated 230VAC / 6Amp.  |
| <b>Supply</b>           | : | 230V AC $\pm 10\%$ 50Hz, 110V AC $\pm 10\%$ , 24V DC.   |
| <b>Mounting</b>         | : | Panel mounting, 0.5kg. weight.  |
| <b>Dimension</b>        | : | 96(H) X 96(W) X 120(D) in mm.   |
| <b>Cutout</b>           | : | 92(H) X 92(W) in mm.  |
| <b>Terminal</b>         | : | 18Nos. 'L' type connector for 'Y' type lugs.  |
| <b>Cabinet</b>          | : | ABS Plastic, black/white colour.  |
| <b>Clock</b>            | : | Real time clock in 24 hours format with second flashing '23-59'   |
| <b>No. Of Output</b>    | : | Independent 2 relay output for 2 channels.  |
| <b>No. Of Programme</b> | : | 50 Programme per channel (on time + duration = 1 Programme)   |
| <b>Prog. Method</b>     | : | A small feather touch key pad for setting calendar, ON time & duration over seven days of the week or daily.                  |
| <b>Skip (IP1)</b>       | : | By active IP2, you can skip the function of the next day.   |
| <b>Reset (IP2)</b>      | : | By active IP1, you can reset all the switching Programme & make it '00' setting.  |
| <b>Battery</b>          | : | Rechargeable battery back up to maintain time for up to 90 days in case of power failure to run real time clock on time.      |
| <b>Temperature</b>      | : | 50 °C.  |
| <b>Builtin</b>          | : | +12VDC for electronic buzzer.   |

## Ordering Information:

\* Supply

\* Details application

## WIRING DIAGRAM



SIZE: 96(W) X 96(H) X 120(D) mm.