



AMBETRONICS™

AN ISO 9001 : 2000 COMPANY



MANUFACTURER OF TIMER , COUNTER , RPM & TEMPERATURE INSTRUMENTS & PROCESS AUTOMATION

FAC. : 17 - B, TARUN INDUSTRIAL ESTATE, MOGRAPADA, NEW NAGARDAS ROAD, ANDHERI (E.), MUMBAI - 400069. INDIA.

TEL. : 022 - 2837 1143 / 1086, 6699 5525 / 26, • FAX : 022 - 2822 6570. • MOBILE : 98210 62102, 93242 54646 / 7

E-mail - sales@ambetronics.com, ambetronics@vsnl.com • Website : www.ambetronics.com

PROGRAMMABLE CYCLIC TIMER MODEL PT-120



72(W) X 72(H) X 120(D) mm.



96(W) X 96(H) X 120(D) mm.



96(W) X 48(H) X 120(D) mm.

CLASSIC FEATURES :-

- * Used latest microcontroller based technology.
- * SECOND, MINUTE & HOUR range programmable by user.
- * 0.01, 0.1, 1 Count resolution programmable user.
- * Two Independent setting with relay one.
- * 2 Nos. L.E.D. used for RL 1 and RL 2 ON indication.
- * 11.0592 MHz quartz crystal for high accuracy.
- * Built-in watch-dog circuit for fail safe operation.
- * Remote & manual front panel reset & hold facility.
- * Program setting by three soft membrane keys on the front panel.
- * +12VDC, 50mA built in supply for proximity, infrared sensor.
- * Potential free relay contact rating 6A at 230VAC.
- * Various different DIN sizes are available.
- * Optional flameproof model is available on request
- * Power fail three conditions programmable by users.

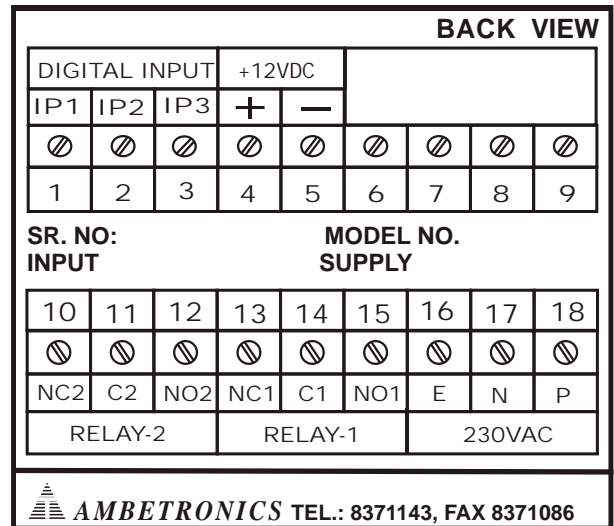
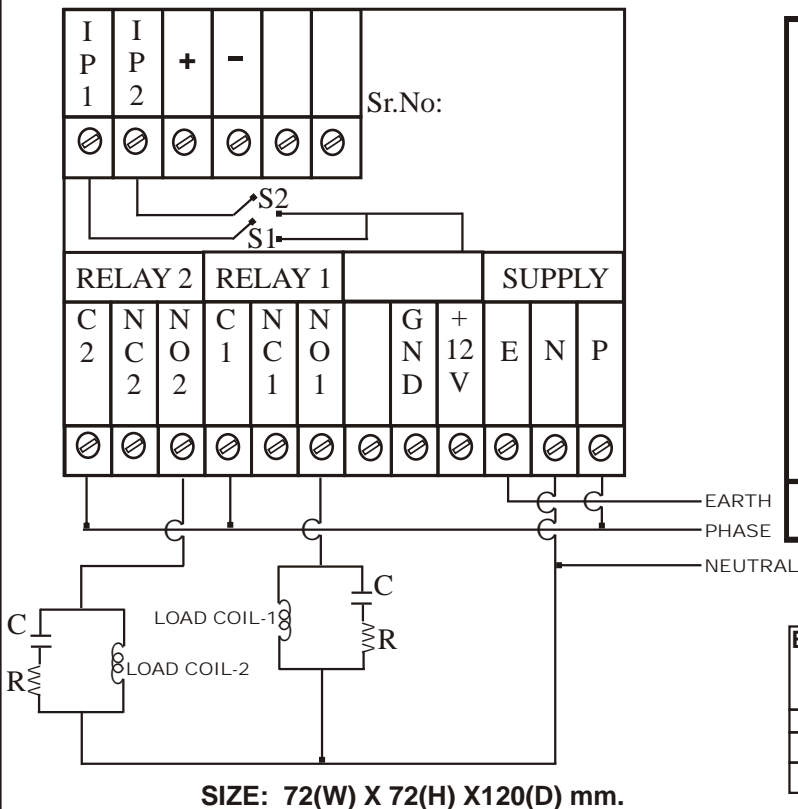
DESCRIPTION:

The Pt-120 Digital Cyclic Timer is a part of the Ambetronics PT series intelligent, microcontroller based control instrument for realisation of economic solution for time control problems. It is widely used for cyclic ON-OFF time wherever required.

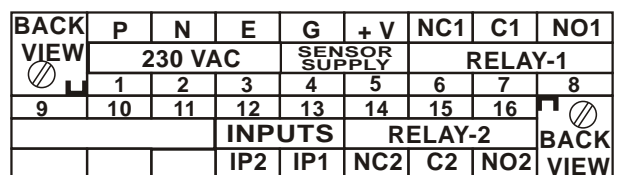
TECHNICAL SPECIFICATIONS :-

- Display** : 5 Digits of 13.0 m.m. height 7 segment, red colour bright L.E.D. Display.
- Range** : 0-999 (3 digit) Sec/Min/Hour (Programmable) ON time and OFF time for relay 1 & relay 2.
- Resolution** : 0.01, 0.1, 1 (Programmable for both ON time and OFF time)
- Accuracy** : Better than 0.2%
- Time Base** : 11.059 MHz Quartz crystal time base for high accuracy.
- Setting** : Front panel keys (-), (+), (SET) keys.
- Relay action**: Programmable with either ON time or OFF time at Power ON.
- Hold(IP1)** : Manual by pressing (+) key or Remote (Hold) from back panel terminal by shorting IP 1 with +V terminal.
- Reset(IP2)** : Manual by pressing (-) key or Remote (Reset) from back panel terminal by shorting IP 2 with +V terminal.
- Output** : 1NO/C/ NC contact rated 230 VAC / 6A Individual for Relay 1 and Relay 2.
- Supply** : 230 VAC + 10%, 50Hz, 110 VAC + 10%, 50Hz,
- Mounting** : Panel Mounting/ wall mounting for flameproof model.
- Dimension** : 72 (W) X 72 (H) X 120 (D) in mm.
96 (W) X 48 (H) X 120 (D) in mm.
96 (W) X 96 (H) X 120 (D) in mm.
195(W) X 400(H) X 170(D) in mm. (Flameproof: IP65)
- Cutout** : 68 (W) X 68 (H) in mm.
92 (W) X 44 (H) in mm.
92 (W) X 92 (H) in mm.
- Cabinet** : ABS Plastic, Black/White colour.
- Terminal** : 16 No. P.B.T. Terminal for 2.5 Sq. mm. lugs pin type or 2.5 Sq. mm. Wire.
- Channel** : 2 Independent Channels with relay output.
- Built-in** : For 12VDC, 50mA built-in supply for proximity, Infrared sensor & buzzer O/P.
- Builtin** : Flameproof model is also available.
- Ordering Information** : Size, Supply, Detail application.

BACK VIEW



SIZE: 96(W) X 96(H) X 120(D) mm.



SIZE: 96(W) X 48(H) X 120(D) mm.